

# Electrolux

## Factory Parts Catalog

Product No.	E36GF76HPS1	E36GF76HPS2
	32166696F80S1	32166696F80S2
Series	36" f/s gas	36" f/s gas
Color	stainless	stainless
Market	North America	North America
Wiring Diagram	318403413	318403413
Owner's Guide	318203960	318203962
Installation Instructions	318201777	318201778
Service Data Sheet	318204805	318204805

# Electrolux

Electrolux Major Appliances  
 North & Latin America  
 P.O. BOX 212378  
 AUGUSTA, GA 30917

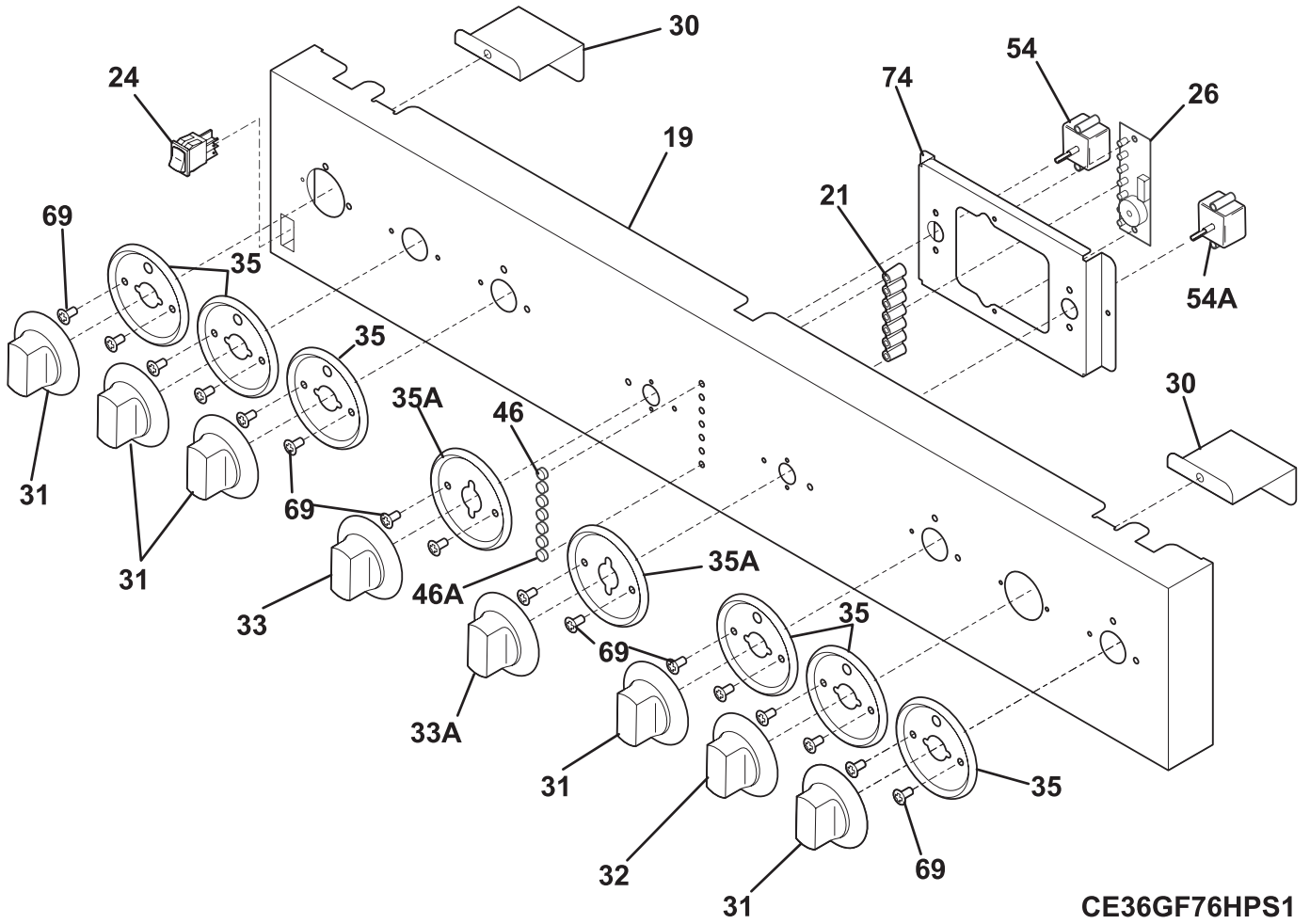
Publication No.  
**5995533857**  
 09/02/23  
 (EN/SERVICE/ECL)  
 377

**36-INCH FREE  
 STANDING GAS  
 RANGE**

Model No.  
**E36GF76H**

Copyright © 2009 Electrolux Home Products, Inc.  
 All rights reserved.

**BACKGUARD**

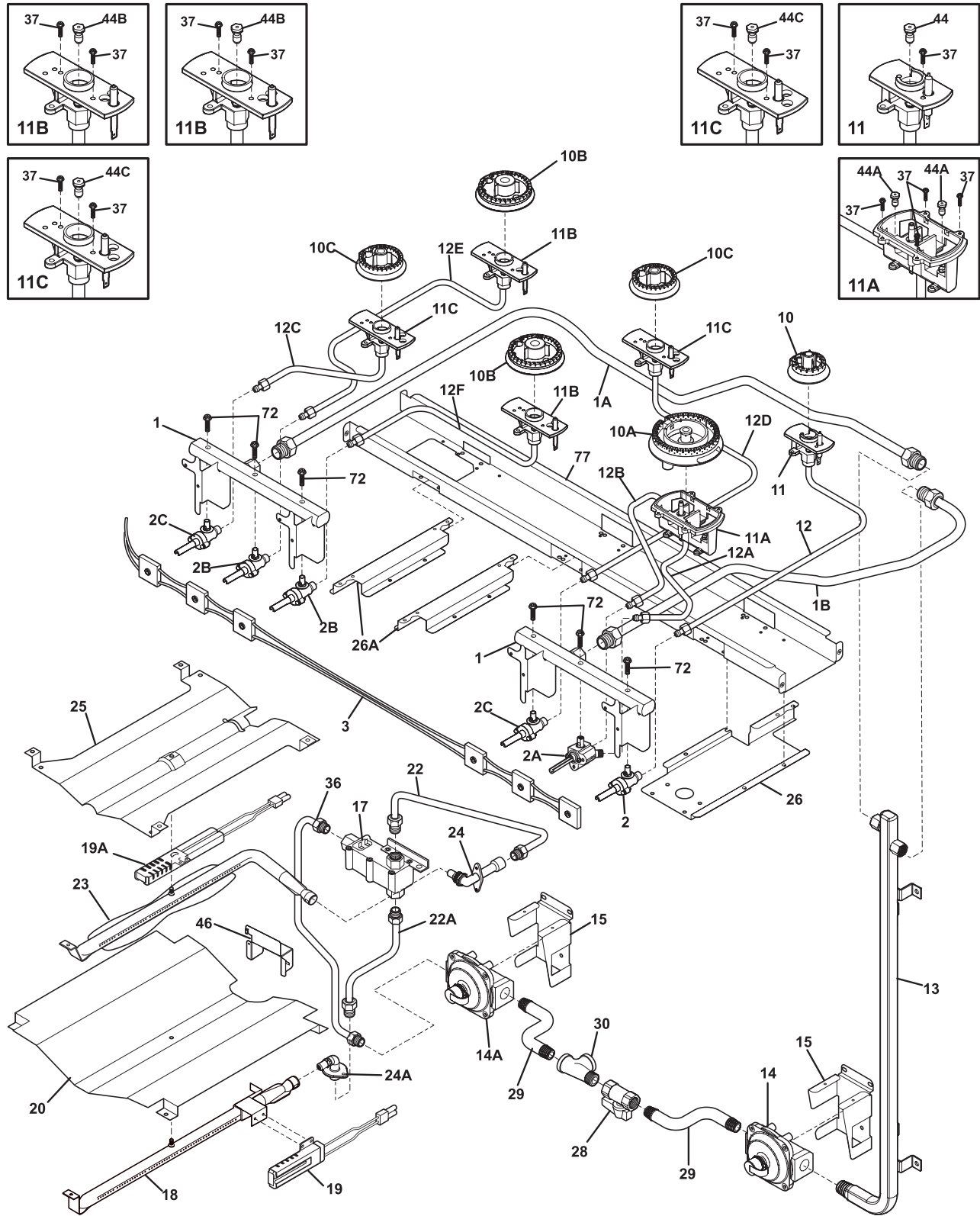


**BACKGUARD**

*Model Index:* A E36GF76H (E36GF76HPS1)  
B E36GF76H (E36GF76HPS2)

POS. NO	PART NO.		DESCRIPTION
19	7318285735	A B	Panel, control, stainless
21	7318389500	A B	Retainer, lens
24 #	75308015487	A B	Switch, oven light, rocker
26 #	75304452799	A B	Board, indicator light, (2), LED
30	7318377000	A B	Support, control panel, (2)
31	7318242252	A B	Knob, control, stainless, (5)
32	7318242253	A B	Knob, control, stainless, dual
33	7318242230	A B	Knob, selector
33A	7318242231	A B	Knob, control, oven
35	7318251911	A B	Skirt, (6)
35A	7318251912	A B	Skirt, (2)
46	7318044501	A B	Lens, indicator light, blue, (5)
46A	7318228310	A B	Lens, indicator light, (2)
54 #	75304452797	A B	Control, oven selector
54A#	75304452798	A B	Control, oven temp.
69	75303300265	A B	Screw, 8-18 X 1/2, (4)
74	7318383901	A B	Bracket, controls
* #	7318532143	A B	Harness, wiring, display/control
* #	7318532142	A B	Harness, wiring, relay board
*	7318163602	A B	Cleaner, stainless steel

**BURNER**



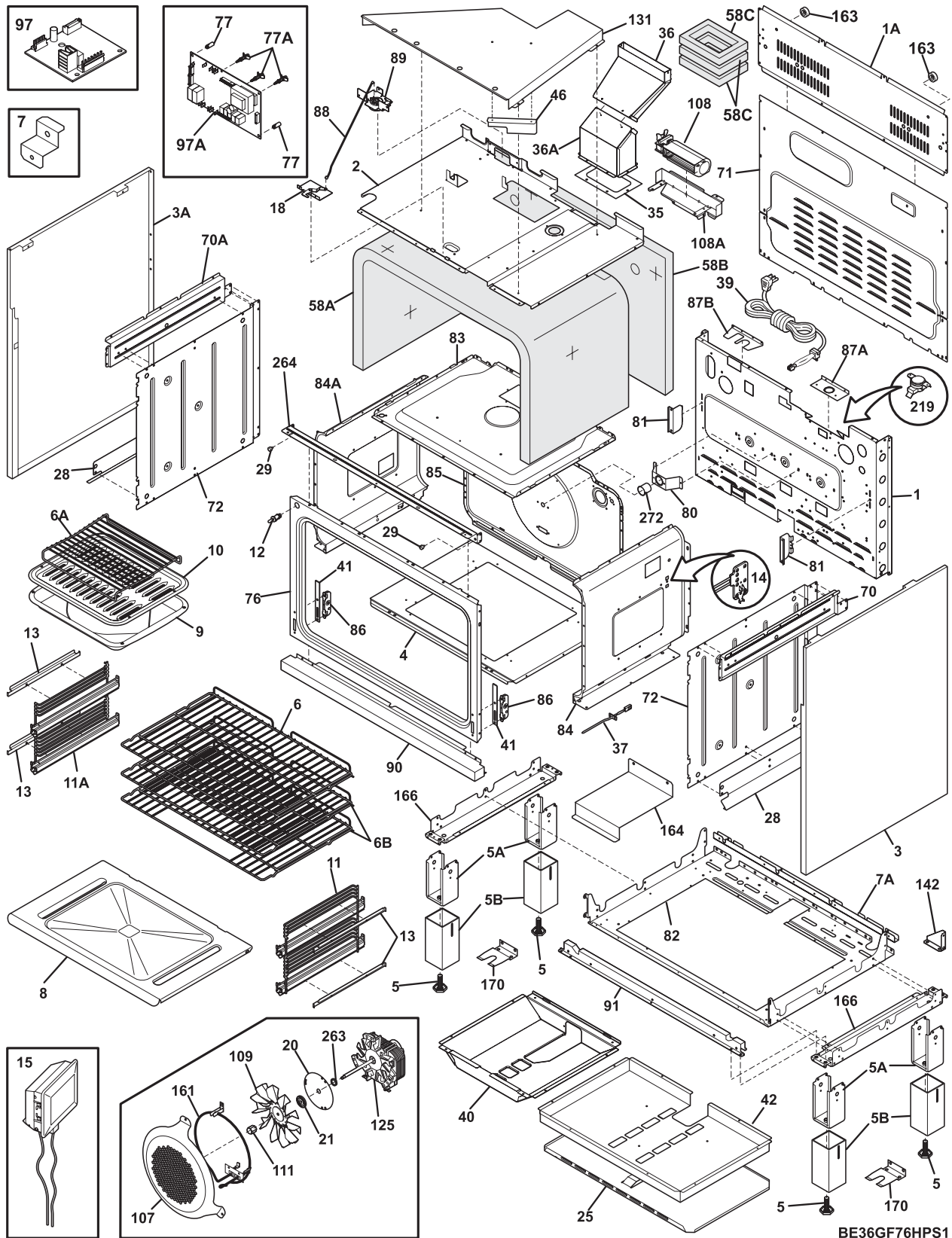
BRE36GF76HPS1

**BURNER**

Model Index: A E36GF76H (E36GF76HPS1)  
B E36GF76H (E36GF76HPS2)

POS. NO	PART NO.		DESCRIPTION
1 #	7318357805	A B	Manifold, (2)
*	75303311333	A B	Screw, 8-32 x 3/8
1A #	7318305453	A B	Tube, manifold, interconnect
1B #	7318305454	A B	Tube, manifold, interconnect
2 #	7316520700	A B	Valve, burner, 5K
2A #	7316412510	A B	Valve, top burner, 18K, dual port
2B #	7316520703	A B	Valve, burner, 14.2K
2C #	7316520701	A B	Valve, burner, 9.5K
3 #	7318232647	A B	Wiring Harness, w/igntr switch
3*	75303311306	A B	Screw, 8-18 x 0.375, (6)
10 #	7316510800	A B	Burner, sealed, 5K
10A#	7316525400	A B	Burner, sealed, dual, 18K
10B#	7316511200	A B	Burner, sealed, 14K
10C#	7316511000	A B	Burner, sealed, 9.5K
11 #	7316524800	A B	Ignitor/orifice assy., top burner, 5K, w/holder
11A#	7316525100	A B	Ignitor/orifice assy., top burner, 18K, w/holder
11B#	7316525000	A B	Ignitor/orifice assy., top burner, 14K, w/holder
11C#	7316524900	A B	Ignitor/orifice assy., top burner, 9.5K, (2), w/holder
12 #	7318366711	A B	Tube, burner, RH rear, 5K
12A#	7318366721	A B	Tube, 18K burner, RH front
12B#	7318366720	A B	Tube, 18K burner, RH front
12C#	7318366734	A B	Tube, 9.5K burner, LH front
12D#	7318366726	A B	Tube, 9.5K burner, center
12E#	7318366724	A B	Tube, 14K burner, LH rear
12F#	7318366725	A B	Tube, 14K burner, center front
13 #	7318357811	A B	Manifold, regulator
14 #	7318122705	A B	Regulator, pressure
14A#	7318122709	A B	Regulator, pressure
*	75304463705	A B	Screw, 8-18 X 1/2, (4)
15	7318376121	A B	Bracket, regulator, (2)
*	75304454881	A B	Screw, #8-18 x 3/8
17 #	75303210798	A B	Valve, safety
18 #	7318292250	A B	Burner, bake
19 #	7318177710	A B	Ignitor, oven burner
19A#	7316489401	A B	Ignitor, burner
20	7318290453	A B	Baffle, bake burner
22 #	7318305250	A B	Tube, broil supply
22A#	7318305251	A B	Tube, bake supply
23 #	7316404304	A B	Burner, broiler
*	75303323277	A B	Screw, 8-18 X 13/32
24 #	7316409700	A B	Elbow, mixer
24A#	7318347217	A B	Mixer Elbow, bake
24A*	7318908450	A B	Bracket, mixer elbow
25	7316401301	A B	Baffle, broil burner
26	7318363802	A B	Bracket, channel mtg
26A	7318363902	A B	Bracket, channel mtg.
28 #	7318087450	A B	Valve, shut off
29 #	7318548602	A B	Tubing, connecting, regulator, (2)
30 #	7318548901	A B	Fitting, tubing, gas connection
36 #	7318177850	A B	Tubing, oven supply
37	7316518100	A B	Screw, ignitor assy mt, 6-32 x .62
44 #	7316523504	A B	Orifice, top burner, 5K
44A#	7316523508	A B	Orifice, top burner, 18K
44B#	7316523506	A B	Orifice, top burner, 14K
44C#	7316523500	A B	Orifice, top burner, 9.5K
46	7318536250	A B	Protector, air shutter
72	7316215600	A B	Screw, valve mtg., 1/4 - 20
77	7318355512	A B	Bracket, channel mtg.
* #	7318186921	A -	LP Conversion Kit
* #	7318243106	A B	Harness, burner wiring
*	75303211311	A B	Screw, 8 x 0.500

**BODY**



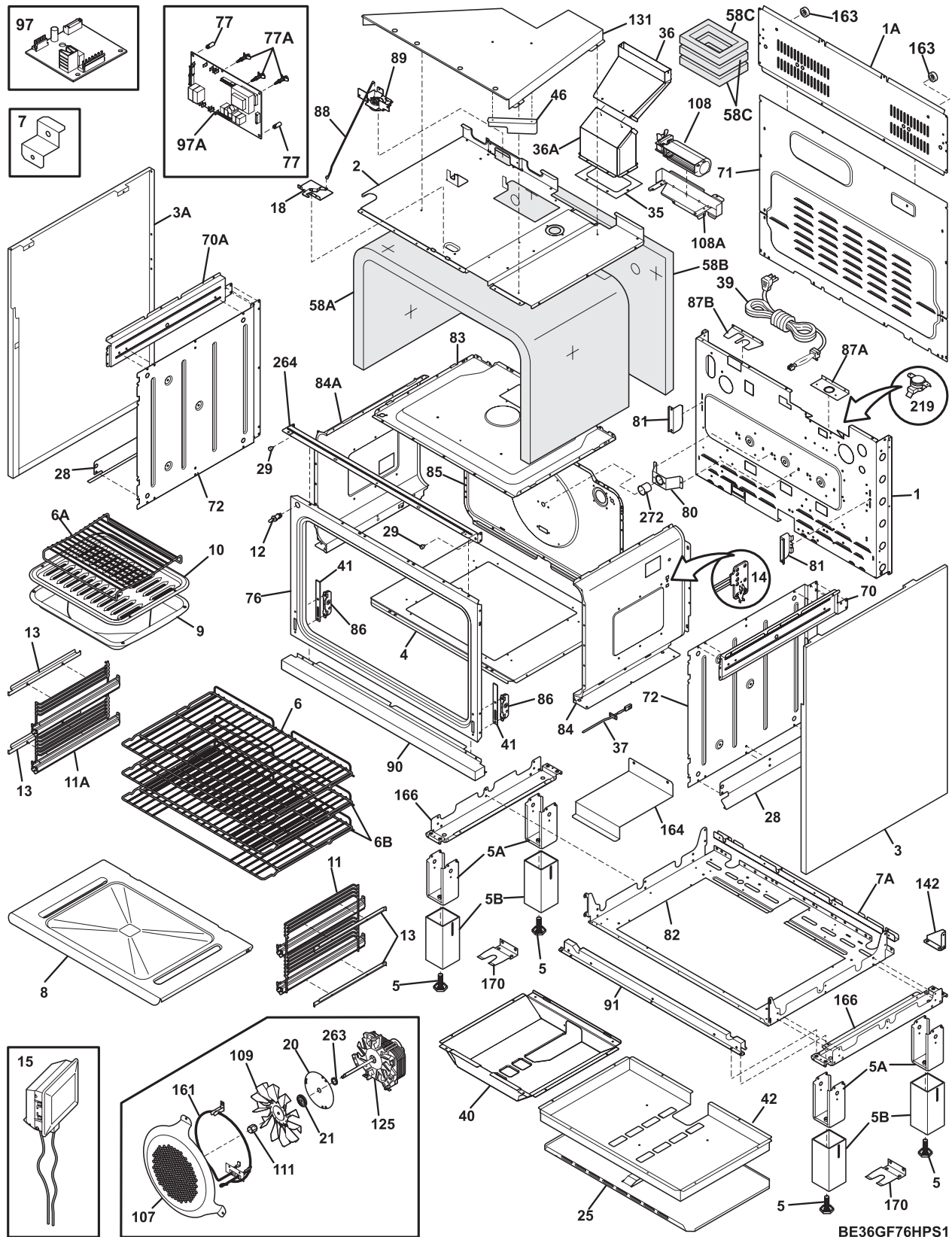
BE36GF76HPS1

**BODY**

*Model Index:* A E36GF76H (E36GF76HPS1)  
B E36GF76H (E36GF76HPS2)

POS. NO	PART NO.		DESCRIPTION
1	7318259255	A B	Back, main
1A	7318260057	A B	Panel, rear box, upper
2	7318258956	A B	Shield, insulation, upper
3	7318352764	A B	Panel, side, stainless, LH
3A	7318352765	A B	Panel, side, stainless, RH
4	7318364106	A B	Liner, oven bottom
5	7318175506	A B	Screw, leveling
5A	7318368850	A B	Bracket, leveling leg, (4)
5B	7318352451	A B	Cover, leveling leg, (4)
6	7318240151	A B	Shelf, oven, fixed
6A	7318365800	A B	Rack, broiler pan
6B	7318240251	A B	Shelf, oven, (3), extendable
7	7318533750	A B	Bracket, main back, (2)
7A	7318533703	A B	Bracket, main back
8	7318290552	A B	Panel, oven, bottom
9	7318138801	A B	Pan, broiler
10	7318126401	A B	Insert, broiler pan
11	7318240056	A B	Glide & Support assy, oven shelves, RH
11A	7318240057	A B	Glide & Support assy, oven shelves, LH
12	7316445501	A B	Switch, oven light, door frame
13	7318603908	A B	Bracket, ladder mtg., (4)
13*	75303310510	A B	Screw, 10-24 x 0.625
13*	75304463707	A B	Nut, bracket mtg, (12)
14	7318903401	A B	Switch, rack sensing
15 #	7318241006	A B	Lamp, oven, (2), halogen
18 #	7316405800	A B	Latch Assembly, oven door
20	7318389400	A B	Plate, retainer
21	7318389000	A B	Seal, ring
25	7318291950	A B	Bracket, shield, lower
28	7318369310	A B	Bracket, side panel, (2)
*	75303324184	A B	Screw, 8-18 x 5/16, black, (4)
29	7316517600	A B	Spacer, oven door
35	7318291301	A B	Seal, flue cavity
36	7318561203	A B	Flue Assembly, upper
36A	7318561205	A B	Flue Assembly, lower
37 #	7316217002	A B	Probe, oven temp
39	7318144008	A B	Cord, service
40	7318291850	A B	Box, oven burner
41	7318366601	A B	Spacer, front frame
42	7318288750	A B	Box, oven burner
46	7318258906	A B	Deflector, air
58A	7318362151	A B	Insulation, top & sides
58B	7318362150	A B	Insulation, oven back
58C	7318362154	A B	Insulation, flue, (3)
70	7318302750	A B	Shield, insulation, right
70A	7318302751	A B	Shield, insulation, left
71	7318260050	A B	Panel, rear box, lower
72	7318259150	A B	Shield, insulation, sides, (2)
76	7318364902	A B	Front, oven

**BODY**



BE36GF76HPS1

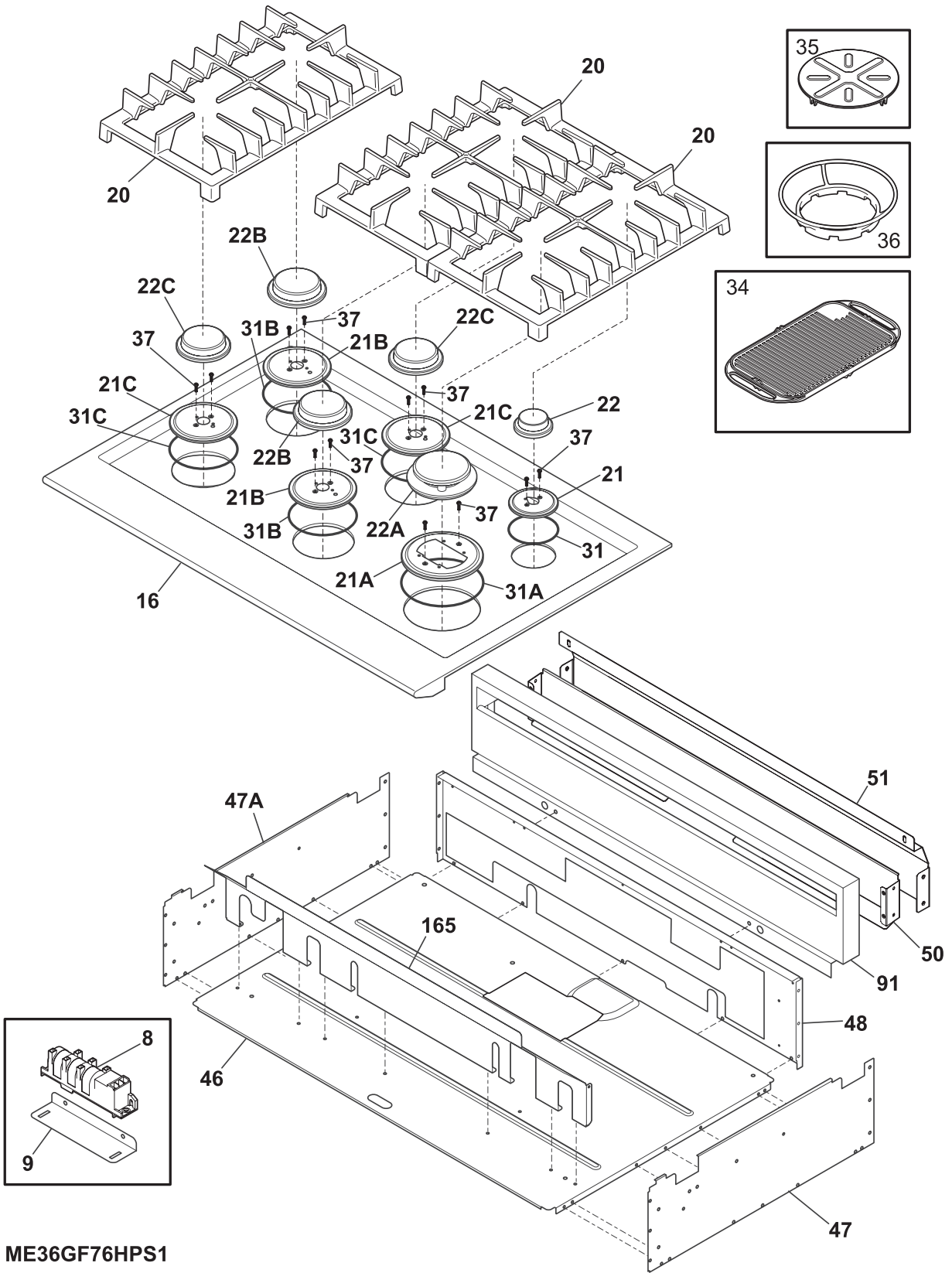


**BODY**

*Model Index:* A E36GF76H (E36GF76HPS1)  
B E36GF76H (E36GF76HPS2)

POS. NO	PART NO.		DESCRIPTION
77	7316247900	A B	Spacer, power board
77A	7316114100	A B	Spacer
80	7318364800	A B	Plate, oven mtg
81	7318373700	A B	Bracket, oven, (2)
82	7318258753	A B	Shield, insulation, lower
83	7318364205	A B	Liner, oven top
84	7318364304	A B	Liner, oven side, RH
84A	7318364314	A B	Liner, oven side, LH
85	7318364413	A B	Liner, oven back
86	7318241406	A B	Receptacle, hinge, (2)
87A	7318111816	A B	Plate, cord set mtg
87B	7318111817	A B	Plate, cord set mtg
88	7318376500	A B	Rod, latch
89 #	7316464300	A B	Motor-latch
89*	7318370325	A B	Wiring Harness, latch
90	7318355052	A B	Trim, bottom, stainless
91	7318376300	A B	Bracket, reinforcement
97 #	7316519202	A B	Board, relay, convection
97A#	7316455711	A B	Board, power, relay
107	7318906601	A B	Cover, fan
*	75304415832	A B	Screw, 8-18 x 0.406
108#	7318073028	A B	Motor, blower
108A	7318251300	A B	Bracket, fan support
*	7318165800	A B	Spacer
109	7318398300	A B	Fan Blade
111	7318399800	A B	Nut, fan retainer
125#	75304463302	A B	Motor-convection
131	7318272906	A B	Box, vent
142	7318368404	A B	Bracket, reinforcement, RH
161#	7318255503	A B	Element, convection, 350 W
163	7318531700	A B	Spacer, (2)
164	7318125352	A B	Plate, connection
166	7318352550	A B	Bracket, leveling leg, (2), reinforcement
170	7318335704	A B	Anti-tip & accessories
219#	7318003633	A B	Thermostat, safety
263	7318142100	A B	Washer, motor, convection
264	7318257753	A B	Trim, oven, black, front
272	7318249402	A B	Tube, protector
* #	7318532172	A B	Harness, wiring, main
*	75304400192	A B	retainer wire
*	708016432	A B	Screw, truss head, 8-18 x 0.375
*	75303211311	A B	Screw, 8 x 0.500
*	75303300265	A B	Screw, 8-18 X 1/2, (4)
*	75303308456	A B	Screw, 8-18 x 0.531, black
*	75303311333	A B	Screw, 8-32 x 3/8
*	75303323129	A B	Screw, 8 X 0.750
*	75303323139	A B	Screw, 10-24 x 0.906
*	75303323277	A B	Screw, 8-18 X 13/32
*	75304436875	A B	Screw, 8-18 X 1/2, black
*	75304440988	A B	Screw, 10-16 x 3/4
*	75304454881	A B	Screw, #8-18 x 3/8
*	75304461333	A B	Screw, 10-32 x 17/32
*	75304463705	A B	Screw, 8-18 X 1/2, (4)

**MAIN TOP**



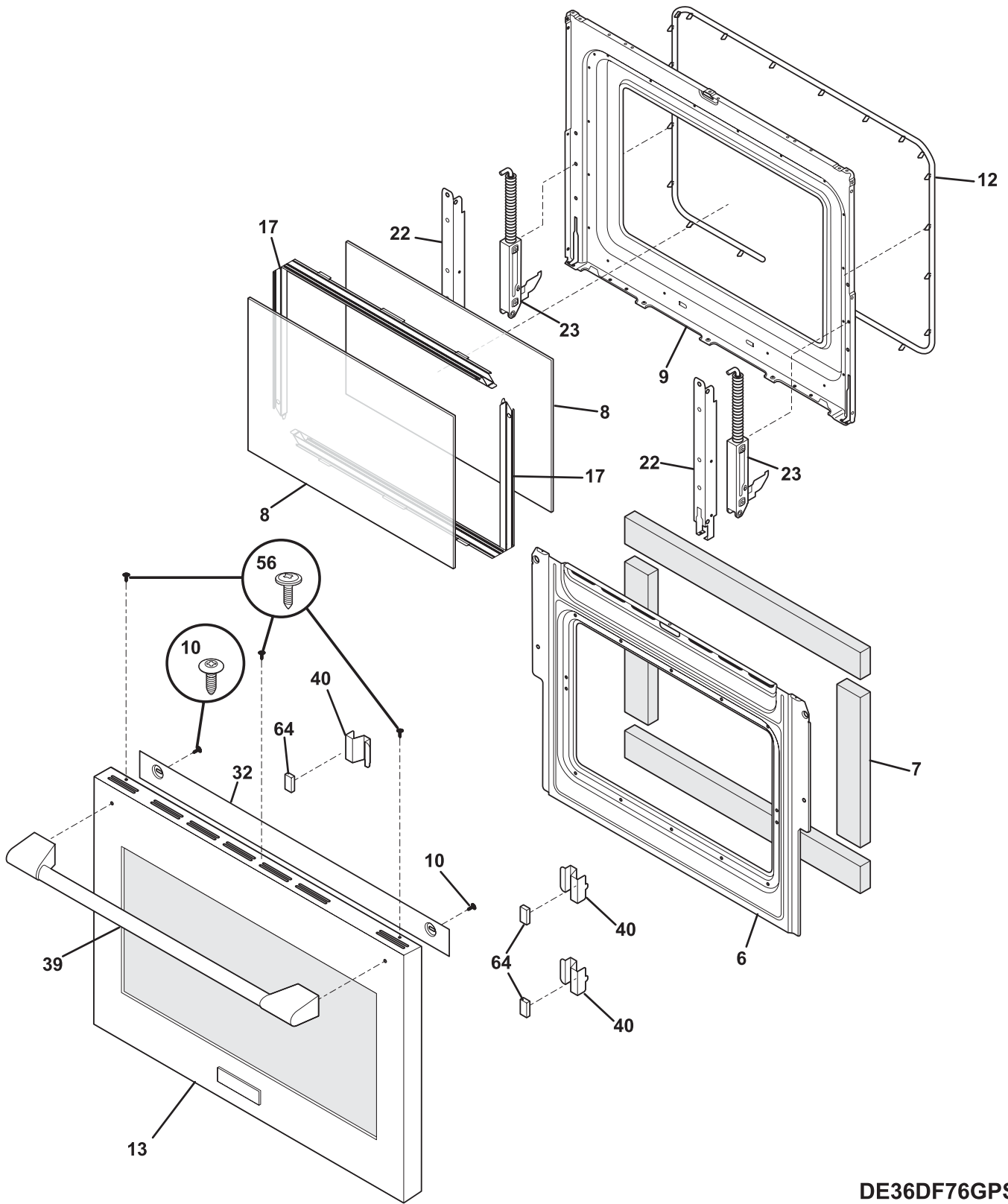
ME36GF76HPS1

**MAIN TOP**

*Model Index:* A E36GF76H (E36GF76HPS1)  
B E36GF76H (E36GF76HPS2)

POS. NO	PART NO.		DESCRIPTION
8 #	7318079001	A B	Module, spark
9	7318387301	A B	Bracket, spark module
16	7318185229	A B	Main Top Assy, frame/glass, stainless/black
20	7318361402	A B	Grate, top burner, black, (3), double
21	7316514800	A B	Skirt, 5K burner, black
21A	7316515100	A B	Skirt, 18K burner, black
21B	7316515000	A B	Skirt, 14K burner, black, (2)
21C	7316514900	A B	Skirt, 9.5K burner, black
22	7316510902	A B	Cap, 5K burner, black
22A	7316511502	A B	Cap, 18K burner, black, (2)
22B	7316511302	A B	Cap, 14K burner, black, (2)
22C	7316511102	A B	Cap, 9.5K burner, black
31	7316515200	A B	Seal, 5K burner
31A	7316515203	A B	Seal, 18K burner
31B	7316515202	A B	Seal, 14K burner, (2)
31C	7316515201	A B	Seal, 9.5K burner
34	7318251600	A B	Griddle
35	7318254200	A B	Simmer Plate
36	7318254300	A B	Support, WOK
37	7316240600	A B	Screw, assy mtg, (8), ignitor/orifice
46	7318242952	A B	Panel, bottom
47	7318241706	A B	Panel, side, RH
47A	7318241707	A B	Panel, side, LH
*	75303311306	A B	Screw, 8-18 x 0.375, (6)
48	7318241853	A B	Panel, rear
50	7318537401	A B	Deflector, backsplash, front
*	75304463705	A B	Screw, 8-18 X 1/2, (4)
51	7318537503	A B	Deflector, backsplash, black, rear
91	7318533450	A B	Backsplash, stainless
*	7318165800	A B	Spacer
165	7318355151	A B	Deflector, heat
*	7318163601	A B	Cleaner-cooktop
*	7318163602	A B	Cleaner, stainless steel
*	75303211311	A B	Screw, 8 x 0.500

DOOR



DE36DF76GPS1

---

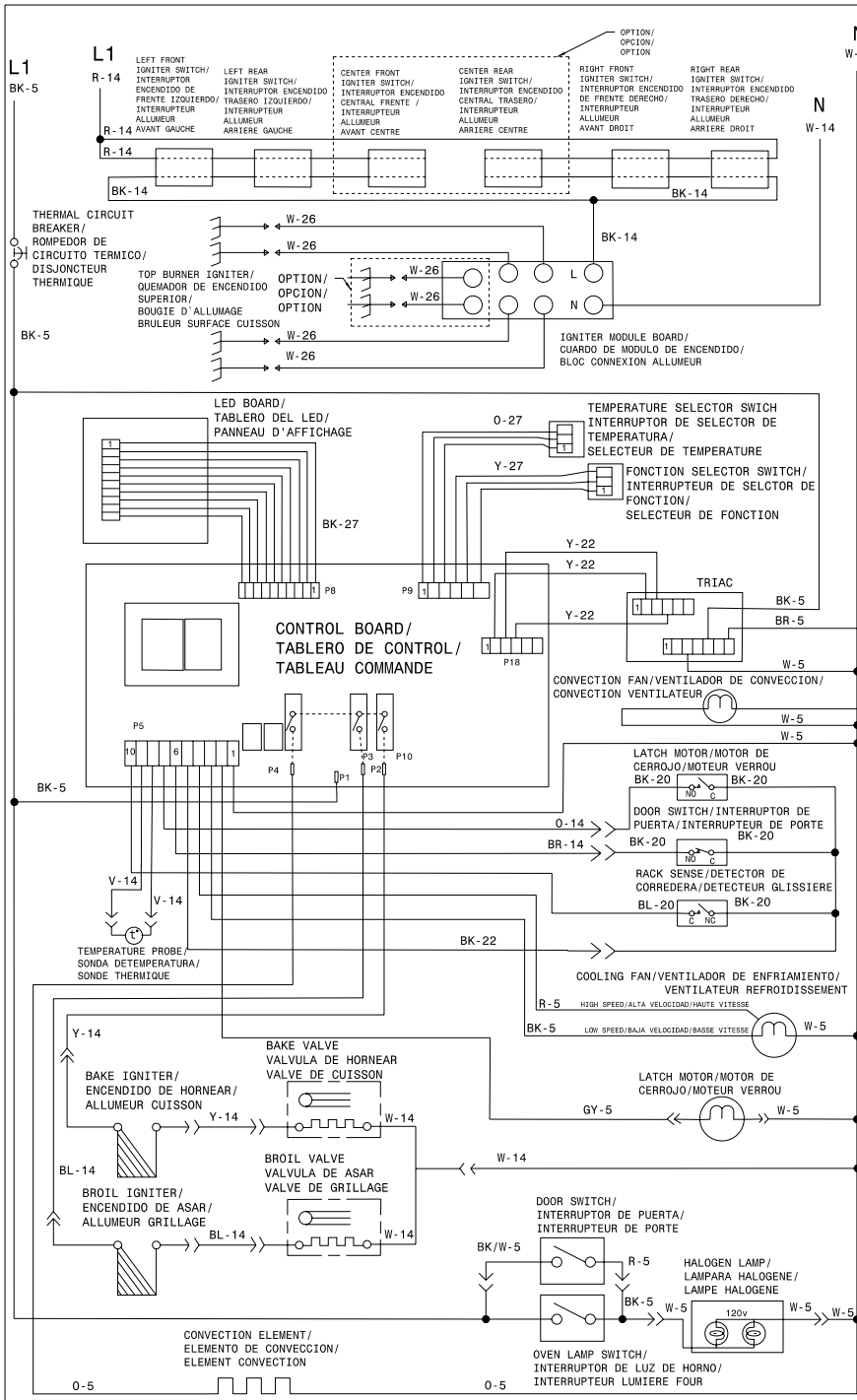
**DOOR**


---

*Model Index:* A E36GF76H (E36GF76HPS1)  
 B E36GF76H (E36GF76HPS2)

POS. NO	PART NO.		DESCRIPTION
6	7318260550	A B	Baffle, door
7	7318372003	A B	Insulation, door
8	7318212250	A B	Glass, oven door, heat barrier, (2)
9	7318364602	A B	Liner, oven door
*	75304415832	A B	Screw, 8-18 x 0.406
10	75304400794	A B	Screw, handle mtg, 10-32 x 3/4
*	73201909	A B	Washer, flat, (2)
12	7318053151	A B	Gasket, oven door seal
13	7318344013	A B	Door Assembly, stainless/glass, w/badge
17	7318376400	A B	Spacer, door glass, (2)
22	7318353803	A B	Retainer, hinge
23	7318244304	A B	Hinge Assy, (2)
23*	75304437044	A B	Screw, 10-32 x 1/4, black, (4)
32	7318390500	A B	Deflector, handle
39	7318392420	A B	Handle, door
40	7318364700	A B	Bracket, glass, (4)
56	75303300265	A B	Screw, 8-18 X 1/2, (4)
64	7318165800	A B	Spacer
*	7318163602	A B	Cleaner, stainless steel
*	75303211311	A B	Screw, 8 x 0.500

WIRING DIAGRAM



COLOR CODE/CODIGOS DE COLOR/CODE DE COULEUR

GY. - GRAY/GRIS/GRIS  
 G. - GREEN/VERDE/VERT  
 W. - WHITE/BLANCO/BLANC  
 R. - RED/ROJO/ROUGE  
 O. - ORANGE/NARANJA/ORANGE  
 Y. - YELLOW/AMARILLO/JAUNE  
 BR. - BROWN/CAFE/BRUN  
 BL. - BLUE/AZUL/BLEU  
 BK. - BLACK/NEGRO/NOIR  
 BR/W. - BROWN/WHITE //CAFE/BLANCO// BRUN/BLANC

CODE CODIGO	GAUGE MEDIDA	TEMP. °C	CSA	UL
1	18	125	CL1251	3173
2	16	125	CL1251	3173
3	14	125	CL1251	3173
4	12	125	CL1251	3173
5	18	150	EXL-150	3321
6	16	150	EXL-150	3321
7	14	150	EXL-150	3321
8	12	150	EXL-150	3321
9	10	150	EXL-150	3321
10	18	200	SEW-1	3122
11	16	200	SEW-1	3122
12	12	250		3252
13	16	250		3252
14	20	150	EXL-150	3321
15	8	150	EXL-150	3321
16	8	60		
17	10	60		
18	10	200	SEW-1	3122
19	20	125	CL1251	3173
20	20	200	SEW-1	3122
21	22	125	CL-1252	3266
22	22	150		10109
23	18	200		3573
24	20	450		5107
25	16	450		5107
26	18	200		10202
27	22	150		10109

**CAUTION:** DISCONNECT POWER BEFORE SERVICING UNIT.  
 LABEL ALL WIRES PRIOR TO DISCONNECTION WHEN SERVICING CONTROLS.  
 WIRINGS ERRORS CAN CAUSE IMPROPER AND DANGEROUS OPERATION.  
 VERIFY PROPER OPERATION AFTER SERVICING.

**ATENCIÓN:** CORTAR LA CORRIENTE ANTES DE REALIZAR EL MANTENIMIENTO DEL ELECTRODOMESTICO.  
 ETIQUETE TODOS LOS CABLES ANTES DE DESCONECTAR CUANDO HAGA EL SERVICIO A LOS CONTROLES.  
 ERRORES AL VOLVER A ENSAMBLAR LOS CABLES PUEDE CAUSAR FALLAS U OPERACIONES PELIGROSAS.  
 VERIFIQUE LA CORRECTA OPERACION DESPUES DEL SERVICIO.

**ATTENTION:** COUPEZ L'ALIMENTATION AVANT D'EFFECTUER LA REPARATION.  
 IDENTIFIEZ TOUS LES FILS AVANT DE LES DEBRANCHER QUAND L'APPAREIL EST HORS SERVICE.  
 LES ERREURS DE CONNECTION DE FILS PEUVENT CAUSEES UN MAL FONCTIONNEMENT ET UN DANGER D'USAGE DE L'APPAREIL.  
 VERIFIEZ LE BON FONCTIONNEMENT DE L'APPAREIL APRES LE SERVICE.

318403413 REV:A